



Bakue Commerce Co.,Ltd

- Bakue Commerce Co.,Ltd. is one of the leading companies specializes in indoor construction and decoration products like hardware , bathroom accessories , lights , floor boards, curtains etc which can provide the one-stop service to match the various demands of our customers worldwide.
-
- Our head office locates at Dongguan city of Guangdong province, and our production bases locate in Zhongshan, Jiangmen ,Foshan etc cities of Guangdong. Relying on our advanced equipments, technicians, skillful workers, successful marketing and management ,Bakue brand is more and more well-known in many countries .
-
- We can help to grow your business by offering:
 - Efficient one-stop solutions.
 - New products to cope with the changing demands of customers.
 - Customized products and services.
 - Strict quality control and prompt delivery
 - Small orders of OEM or ODM
- **Service**
- 1. One-stop product supply.
 2. One-stop project solution.
 3. New products to cope with the changing demands of customers.
 4. Customized products and services.
 5. Strict quality control and prompt delivery.
 6. Keeping very good after-sales services.

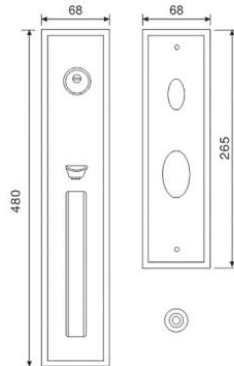


Bakue Stainless Steel Series

DdLdS0006-SS



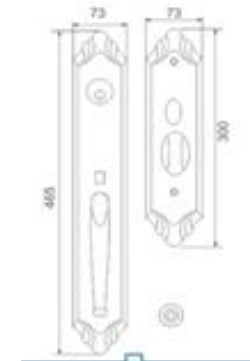
Material: SUS304
Plate Dimension: 480*68mm
Door Thickness: 38-60mm
Lock: 64*87 American standard lock body
Cylinder: American standard brass cylinder
Backset: 64mm
Central Distance: 87mm



DdLdS0007-SS



Material: SUS304
Plate Dimension: 465*73mm
Door Thickness: 38-60mm
Lock: 64*87 American standard lock body
Cylinder: American standard brass cylinder
Backset: 64mm
Central Distance: 87mm



FOB Price: USD106.50



Bakue Stainless Steel Series

DdBbS0007-SS



Material: SUS304
Plate Dimension: 446*68mm
Door Thickness: 38-60mm
Lock body: 64*87 American standard lock body
Cylinder: American standard brass cylinder
Backset: 64mm
Central Distance: 87mm

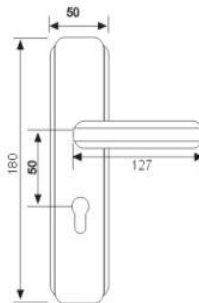
DdBbS0008-SS



Material: SUS304
Plate Dimension: 465*73mm
Door Thickness: 38-60mm
Lock: 64*87 American standard lock body
Cylinder: American standard brass cylinder
Backset: 64mm
Central Distance: 87mm

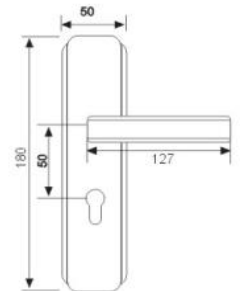
FOB Price: USD96.20

Bakue Stainless Steel Series



DmWbS0022-SS/SP

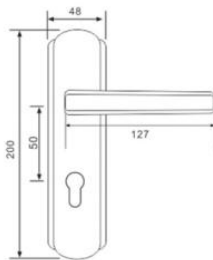
Material: SUS304
Plate Dimension: 180*50mm
Door Thickness: 38-55mm
Lock Body: 5050 mortise lock body
Cylinder: Europe style brass cylinder
Backset: 50mm
Center Distance: 50mm



DmWbS0023-SS/SP

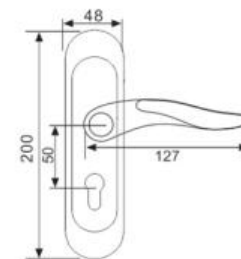
FOB Price: USD13.90

Bakue Stainless Steel Series



DmLdS0015-SS/SP

Material: SUS201/304
Plate Dimension: 200*48mm
Door Thickness: 38-55mm
Lock body: 5050 mortise lock body
Cylinder: Europe style brass cylinder
Backset: 50mm
Central Distance: 50mm



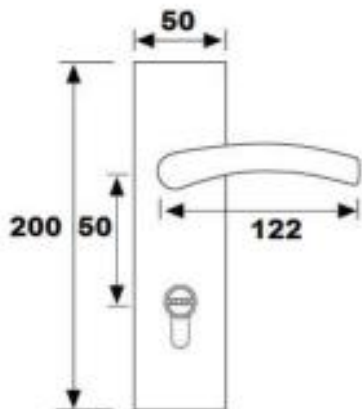
DmLdS0016-SS/SP

FOB Price: USD11.90

Bakue Stainless Steel Series

Material: SUS304
Plate Dimension: 200*50mm
Lock Body: 5050 mortise lock body
Cylinder: Europe style brass cylinder
Backset: 50mm
Central Distance: 50mm

Reference Drawing:



DmBbS0015-SS

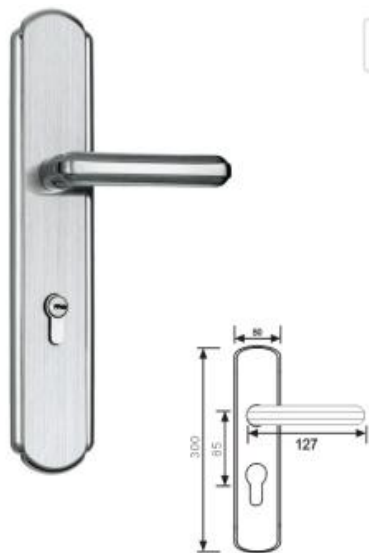


DmBbS0016-SS

FOB Price: USD16.50

Bakue Stainless Steel Series

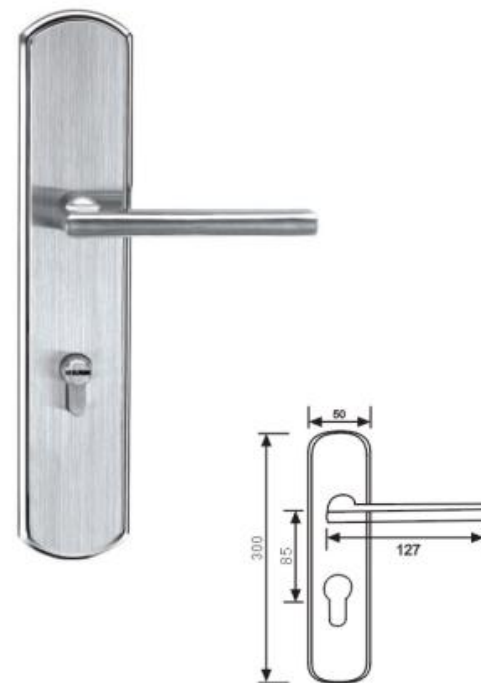
Material: SUS304
Plate Dimension: 300*50mm
Lock Body: 6085 mortise lock body
Cylinder: Europe style brass cylinder
Backset: 60mm
Center Distance: 85mm



DmWbS0027-SS/SP



DmWbS0025-SS/SP



DmWbS0026-SS/SP

FOB Price: USD25.80

Bakue Stainless Steel Series

Material: SUS304

Lock Body: 7255 mortise lock body

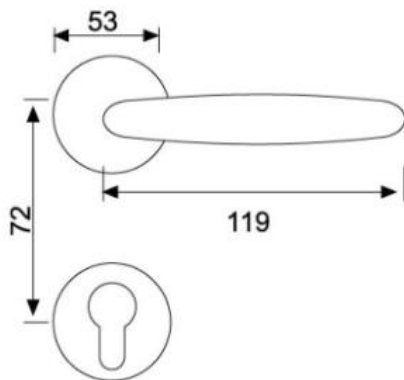
Cylinder: Europe style brass cylinder

Backset: 72mm

Central Distance: 55mm



Reference Drawing:



DmBbS0017-SS

DmBbS0018-SS

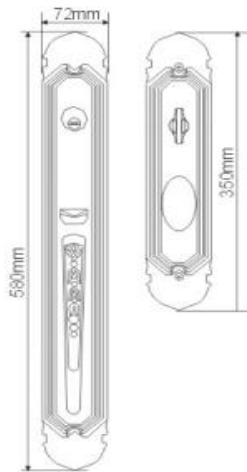
FOB Price: USD21.20

Bakue Zinc Alloy Series

DdWbZ0001-AB



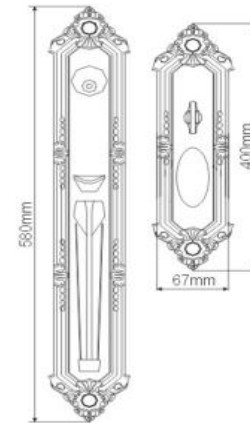
Material: Zinc Alloy
Plate Dimension: 580*72mm
Door Thickness: 38-50mm
Lock Body: 7093 American standard lock body
Cylinder: American standard brass cylinder
Backset: 70mm
Central Distance: 93mm



DdWbZ0002-AB



Material: Zinc Alloy
Plate Dimension: 580*72mm
Door Thickness: 38-50mm
Lock Body: 7093 American standard lock body
Cylinder: American standard brass cylinder
Backset: 70mm
Central Distance: 93mm



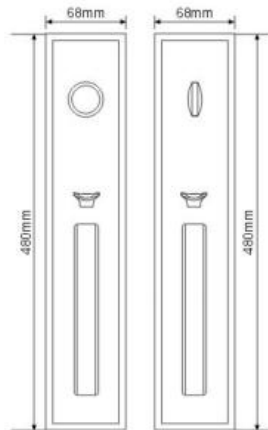
FOB Price: USD75.60

Bakue Zinc Alloy Series

DdWbZ0003-SN/CH



Material: Zinc Alloy
Plate Dimension: 480*68mm
Door Thickness: 38-50mm
Lock Body: 6075 mortise lock body
Cylinder: Europe style brass cylinder
Backset: 60mm
Central Distance: 75mm

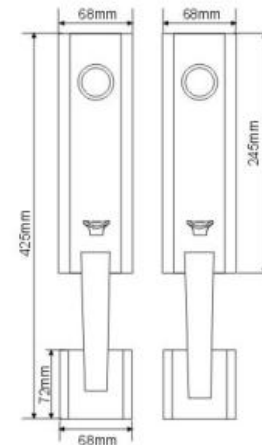


FOB Price: USD47.20

DdWbZ0004-SN/CH



Material: Zinc Alloy
Plate Dimension: 425*68mm
Door Thickness: 38-50mm
Lock Body: 6075 mortise lock body
Cylinder: Europe style brass cylinder
Backset: 60mm
Central Distance: 75mm



FOB Price: USD37.90



Bakue Zinc Alloy Series



DdBbZ0001-AB



DdBbZ0005-AB



DdBbZ0003-AC



DdBbZ0002-AY

FOB Price: USD93.20

FOB Price: USD84.90

Bakue Zinc Alloy Series



DmLdZ0009-SN/CH

Material: Zinc Alloy
Plate Dimension: 170*50mm
Door Thickness: 38-55mm
Lock Body: 5050 mortise lock body
Cylinder: Europe style brass cylinder
Backset: 50mm
Central Distance: 50mm



DmLdZ0010-SN

FOB Price: USD12.30

Bakue Zinc Alloy Series



DmWbZ0010-SN/CH



DmWbZ0011-SN/CH



DmWbZ0012-SN/CH



DmWbZ0014-SN/CH



DmWbZ0015-SN/CH



DmWbZ0013-SN/CH

FOB Price: USD13.30

Bakue Zinc Alloy Series



DmLdZ0011-SN/CH



DmLdZ0012-SN/CH



DmLdZ0013-SN/CH



DmWbZ0017-SN/CH



DmWbZ0018-SN/CH



DmWbZ0019-SN/CH



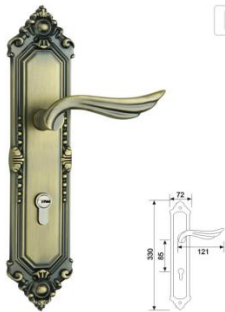
DmWbZ0020-BN/GP



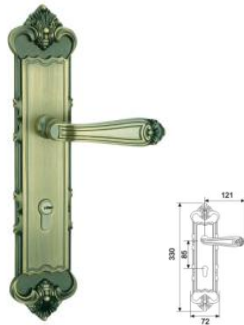
DmWbZ0021-G

FOB Price: USD12.30

Bakue Zinc Alloy Series



DmWbZ0001-AB



DmWbZ0003-AB



DmWbZ0004-AB



DmWbZ0005-AB



DmWbZ0006-AY



DmWbZ0007-AB



DmWbZ0008-AC



DmWbZ0009-AY

First two items FOB Price: USD33.30

Other items FOB Price: USD16.90

Bakue Zinc Alloy Series



DmWbZ0028-SN



DmWbZ0029-SN



DmWbZ0030-SN



DmWbZ0031-SN



DmBbZ0019-SN



DmBbZ0014-AB



DmBbZ0013-AC



DmBbZ0012-BN/GP

First four items FOB Price: USD15.60

Other four items FOB Price: USD14.90



Contact information

Add: Building a 4th Block, International financial innovation centre, Songshan Lake, Dongguan City

Contact person: Tracy

Tel: 0086-769-39019596

Cell: 0086-15814301966(whatsapp)

Website:

www.indoorlock.com

<http://bakue2015.en.made-in-china.com>